

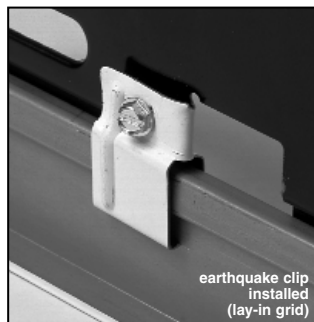
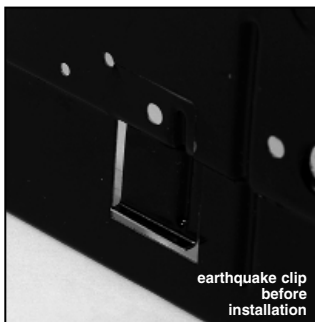
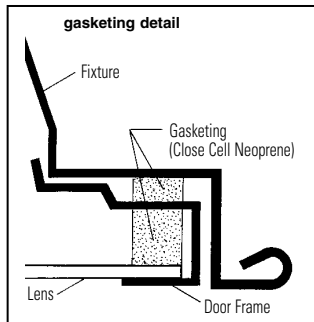
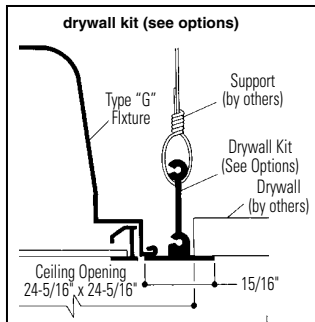
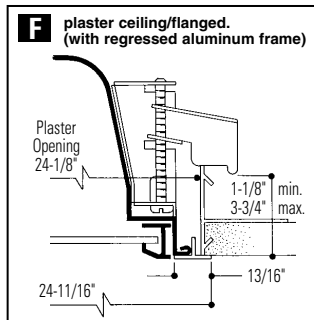
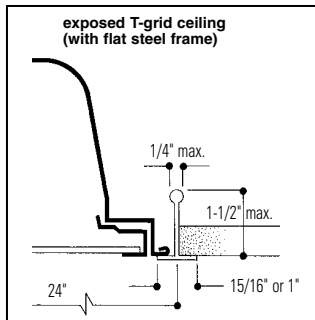
CLEANGUARD WET LOCATION WES SERIES 2X2

Features

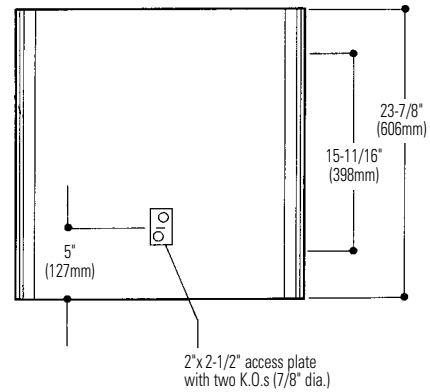
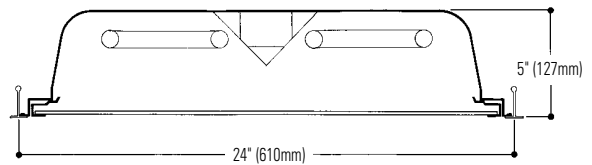
- UL and C-UL Listed for wet or damp locations for covered ceiling use.
- Full perimeter gasketing (closed cell Neoprene) between door frame and lens, between housing and door frame.
- Door frame is post painted, baked acrylic enamel.
- 5" deep body.
- 71.6% efficient (T8).
- Hemmed over side rails for maximum safety.
- Fixture ends turned-in for safe handling.
- Built-in earthquake clips (patent no. 5,072,344).
- Slimline door frame with 475 square inch lens opening.
- Mitered corner steel lens frame.
- Spring loaded rooster head latches.
- 18 gauge steel hinges.
- Flat and regressed aluminum doors available.



MOUNTING METHODS



DIMENSIONS



Job Information

Type:

Job Name:

Cat. No.:

Lamp(s):

Volts/Ballast:

Lightolier a Genlyte Thomas Company

www.lightolier.com

Technical Information: (978) 657-7600 • Fax (978) 658-0595

631 Airport Road, Fall River, MA 02720 • (508) 679-8131 • Fax (508) 674-4710

We reserve the right to change details of design, materials and finish.

© 2002 Genlyte Thomas Group LLC (Lightolier Division)

A0902

SECTION 6/Folio N30-11

LIGHTOLIER



CLEANGUARD WET LOCATION WES SERIES 2X2

LER = FL - 58.6 IW - 56.3 BF - 0.87

Comparative yearly lighting energy cost per 1000 lumens = \$4.00

PHOTOMETRY

MODEL NO. WES2GFSVA26U

TESTING LABORATORY
45 Industrial Way
Wilmington, MA 01887
(978) 657-7600

REPORT NO.: G00025 DATE: 02-28-2000
CATALOG NO.: WES2GFSVA26U120SO
LAMP(S): 2 T8 U6, EACH RATED 2750 LUMENS.
LUMINAIRE: NEW 2X2 TROFFER WITH FS FRAME AND VA LENS
0.47 AMPS 56.3 WATTS

CANDELA DISTRIBUTION

0	0.0	22.5	45.0	67.5	90.0	
0	1669	1669	1669	1669	1669	
5	1659	1659	1658	1661	1661	158
15	1578	1583	1593	1608	1614	451
25	1431	1451	1464	1489	1502	675
35	1212	1224	1249	1286	1309	785
45	913	925	960	1028	1068	750
55	572	576	611	646	673	553
65	318	300	302	337	342	319
75	160	157	146	185	192	178
85	58	60	62	77	78	70
90	0	0	0	0	0	

ZONAL LUMEN SUMMARY

ZONE	LUMENS	%LAMP	%FIXT
0-30	1283	23.3	32.6
0-40	2069	37.6	52.6
0-50	3369	61.3	85.6
0-90	3936	71.6	100.0
90-180	0	0.0	0.0
0-180	3936	71.6	100.0

TOTAL LUMINAIRE EFFICIENCY = 71.6 %
TOTAL REFLECTANCE OF PAINT = 90.0 %

CIE TYPE - DIRECT
PLANE : 0-DEG 90-DEG
SPACING CRITERIA : 1, 2 1, 3
SHIELDING ANGLES : 90 90
PLANE : 0-DEG 90-DEG
LUMINOUS LENGTH : 21.840 21.840

LUMINANCE DATA IN CANDELA/SQ M
ANGLE AVERAGE AVERAGE
IN DEG 0-DEG 45-DEG 90-DEG
45 4194. 4410. 4206.
55 3239. 3460. 3811.
65 2444. 2321. 2629.
75 2008. 1832. 2410.
85 2162. 2311. 2907.

THIS REPORT IS BASED ON PUBLISHED INDUSTRY PROCEDURES • FIELD PERFORMANCE MAY DIFFER FROM LABORATORY PERFORMANCE

coefficients of utilization — zonal cavity method (effective floor cavity reflectance 0.20)

	20			50			80		
	RF	RC	RW	RF	RC	RW	RF	RC	RW
	room cavity ratio	79	75	73	71	69	67	68	66
1	79	75	73	71	69	67	68	66	65
2	72	67	62	63	59	56	61	58	55
3	66	59	54	56	52	48	54	51	47
4	61	53	47	50	46	42	49	45	41
5	56	48	42	45	40	37	44	40	36
6	52	43	37	41	36	32	40	36	32
7	49	39	33	38	33	29	37	32	29
8	45	36	30	35	30	26	34	29	26
9	42	33	28	32	27	24	31	27	23
10	40	31	25	30	25	21	29	25	21

visual comfort probability (rated lumens per lamp 3150.)

room size	ceiling height					
	W	L	8.5	10.0	13.0	16.0
20	20	20	56	60	66	73
20	30	30	50	53	57	63
20	40	40	47	49	53	57
20	60	60	43	46	49	52
30	20	20	58	61	66	72
30	30	30	51	54	57	62
30	40	40	47	49	52	55
30	60	60	43	46	47	50
30	80	80	42	44	45	48
40	20	20	59	63	67	71
40	30	30	52	55	58	62
40	40	40	48	50	52	55
40	60	60	44	46	48	50
40	80	80	42	44	44	47
40	100	100	42	43	43	45
60	30	30	53	56	59	63
60	40	40	48	51	53	56
60	60	60	44	47	48	50
60	80	80	42	44	44	47
60	100	100	42	43	42	45
100	40	40	51	53	55	58
100	60	60	47	49	49	52
100	80	80	44	46	46	48
100	100	100	43	44	43	46

ORDERING INFORMATION

Explanation of Catalog Number. Example: WES2GFSVA26U120SOGLR

WE	S	2							
CLEANGUARD WET LOCATION	STATIC	FIXTURE WIDTH	CEILING TYPE: G= Grid (lay-in T bar) F= Flanged (overlap) Z spline and plaster frame	LENS FRAME: FS= Flat steel frame RA= Regressed aluminum frame FA= Flat aluminum frame	LENS/SHIELDING TYPE: VA (virgin acrylic) standard (see options and consult factory)	LAMP QUANTITY: 2=2 Lamp 3=3 Lamp (Not with 6" spacing) 4=4 Lamp (T8, 2' Lamp Only)	LAMP/ FIXTURE LENGTH: 6U=6" U Lamp T8 or T12 2U=T8, 1-5/8" U Lamp FT=Twin Tube T5 17=T8, 2' Lamp (Nominal 24")	VOLTAGE: 120 or 277	OPTIONS: Add appropriate suffix to catalog no., ie: (GLR)
								BALLAST TYPE: LE 1-2 Lamp Mag. T12 1 & 2 Lamp Elec. T8 1-2 Lamp Elec. T8 1-2 Lamp Elec. TT5 (40 Watt) 1-3 Lamp Elec. TT5 1-4 Lamp Elec. T8 LOL Dimming (T8) LOL Dimming (TT5)	Options: <20TH S0* HI* S0* HI* SB* IB* X3* I3* O4* H4* PS - PB - *Instant Start Standard

Other dimming options. Consult factory.

OPTIONS & ACCESSORIES

- SPECIAL LENSES:** Substitute **VI** for **VA** (standard). .125" nominal pattern 12 with 6.8 oz. average weight per square foot.
- PLASTER FRAME:** Catalog number: **PF22**.
- CONTINUOUS ROW INSTALLATION:** For F type fixtures, half-width flanges are required between fixtures. Order Catalog Number: **S2FC TRIM** (each joint).
- RADIO INTERFERENCE FILTER** 120 or 277 volt, 50 or 60 Hz. One per fixture is standard. SUFFIX: **RF**.
- FUSING:** Internal fast-blow fusing. SUFFIX: **GLR**.
Internal slow-blow fusing. SUFFIX: **GMF**.
- ELECTRICAL/WIRING OPTIONS:** Consult factory.
- DRYWALL KIT:** Order Catalog Number: **FK91X4**. Request Folio OA30-10.
- CHICAGO PLENUM:** SUFFIX: **CP**.

SPECIFICATIONS

PERFORMANCE: In an installation of 2 lamp 31W luminaires in a room cavity ratio of 1, reflectance 80% ceiling, 50% wall, 20% floor, the C.U. shall not be less than .75. To prevent glare the VCP shall be not less than 40 either length-wise or crosswise (at 100fc level) and the average brightness at 65° shall not exceed 2629 candelas per square meter. To control veiling reflections, luminaire output in the 30°-90° zone shall not be less than 67.4%.

Job Information Type:

Lightolier a Genlyte Thomas Company www.lightolier.com
Technical Information: (978) 657-7600 • Fax (978) 658-0595
631 Airport Road, Fall River, MA 02720 • (508) 679-8131 • Fax (508) 674-4710
We reserve the right to change details of design, materials and finish.
© 2002 Genlyte Thomas Group LLC (Lightolier Division)
A0902 **SECTION 6/Folio N30-11**

